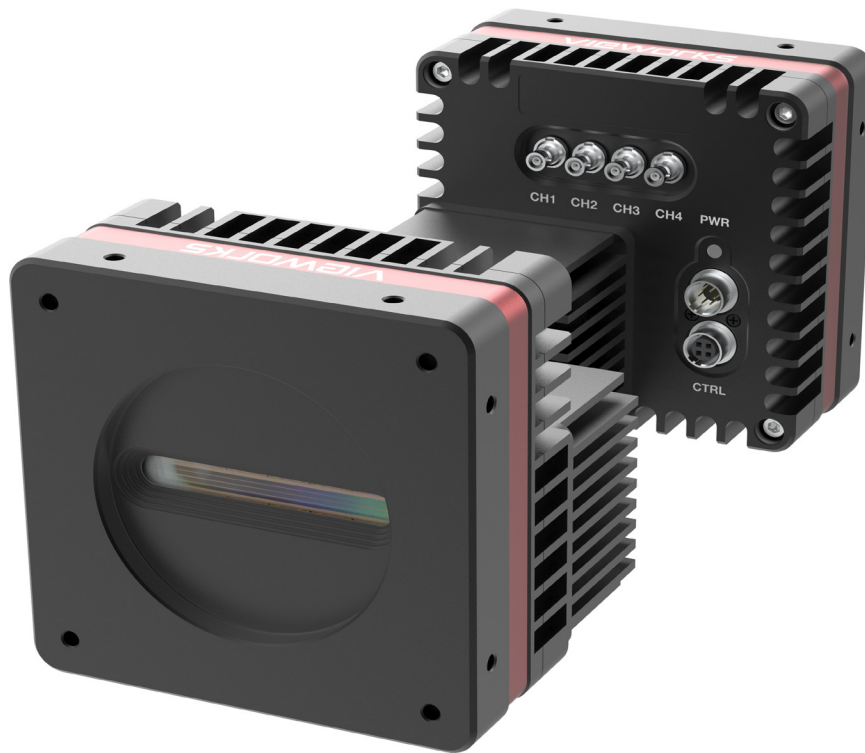


# VTS-9K5X2-H550I-256

High Speed & High Sensitivity 9k TDI Camera  
with Charge-domain BSI Image Sensor



**CoaxPress**<sup>®</sup>

The VTS-9K5X2-H550I-256 camera, the new Time Delayed Integration (TDI) camera with a Back-Side Illuminated (BSI) image sensor by charge-domain CMOS technology, provides faster line rates and higher sensitivity than existing TDI cameras.

With the state-of-the-art BSI sensor from Gpixel, the camera acquires images of 9k resolution with 256x higher sensitivity, and for higher than that, the camera also supports the HDR feature using both photosensitive bands, 256 stages and 32 stages respectively.

Featured with high speed and high sensitivity, the camera is ideal for demanding applications such as semiconductor inspection, PCB(Printed Circuit Board) inspection, flat panel display inspection, and fluorescence imaging.

**VIEWWORKS**

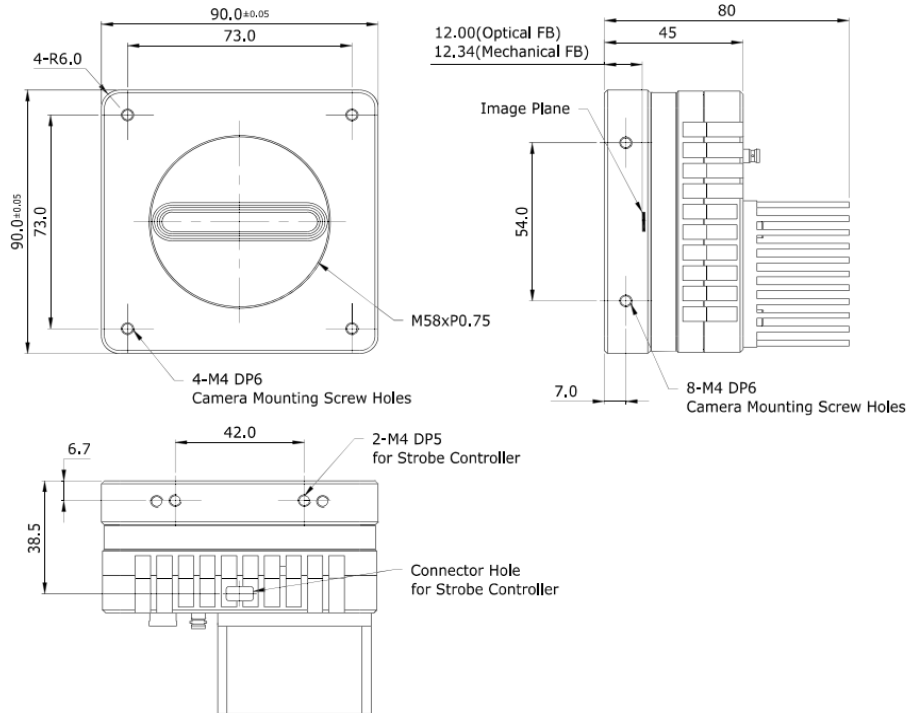
vision.viewworks.com

# VTS-9K5X2-H550I-256

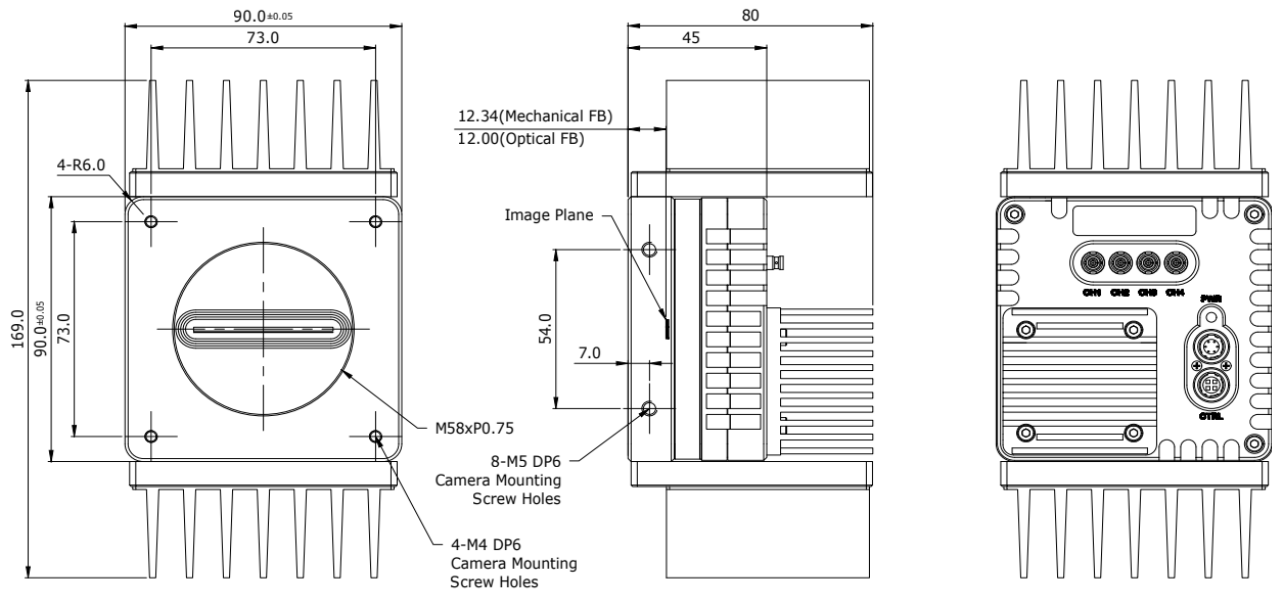
High Speed & High Sensitivity 9k TDI Camera

## Mechanical Dimensions

- VTS-9K5X2 (Camera)



- VTS-9K5X2 (Camera + 2 Additional Heatsinks), Heatsink Size: 87mm x 39.5mm x 78.5mm



# VTS-9K5X2-H550I-256

High Speed & High Sensitivity 9k TDI Camera

## Main Features

- 9kTDI, BSI(Back-Side Illuminated), Charge-domain CMOS
- CoaXPress Interface up to 543 kHz at 50 Gbps using 4 CH
- Bidirectional Operation with up to 256 TDI Stages in a Single Band, or 32 TDI Stages in a Dual Band
- Advanced DSNU and PRNU Correction
- Strobe Output Control
- GenICam Compatible – XML based Control

## Applications

- Semiconductor Inspection
- Printed Circuit Board Inspection
- Flat Panel Display Inspection
- Fluorescence Imaging

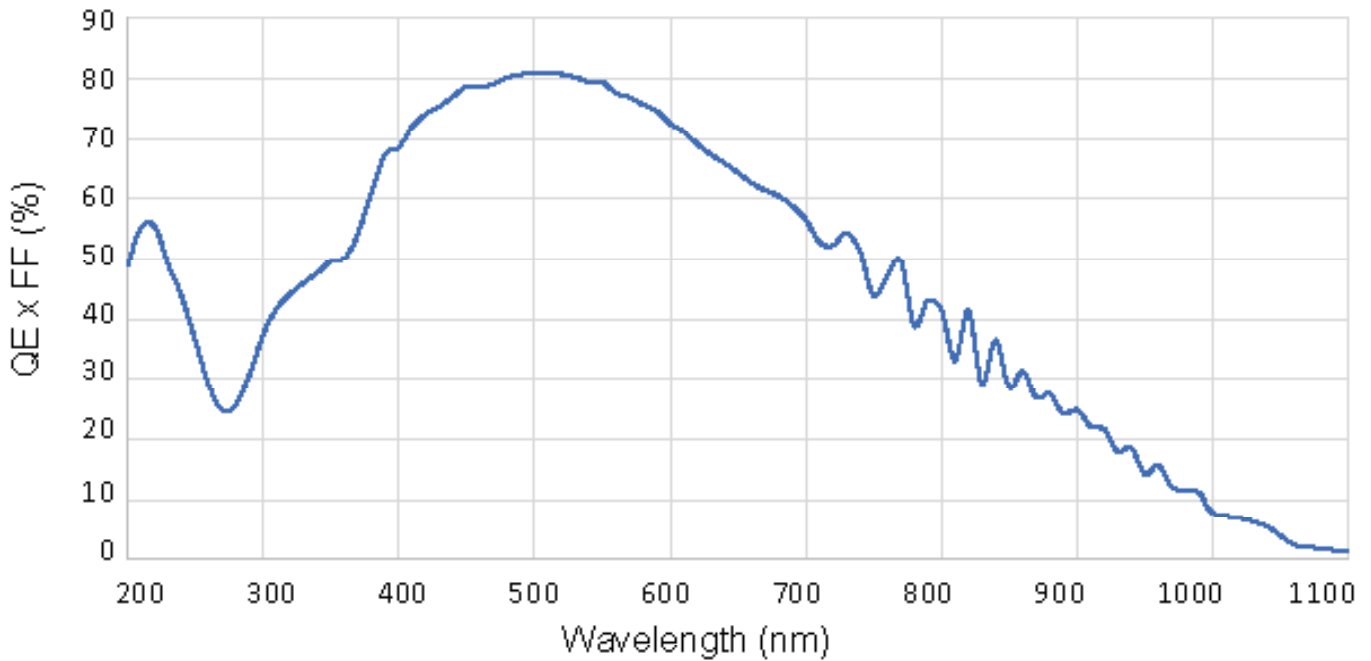
## Specifications

Photosensitive Bands	Single Band (No HDR)	Dual Band (HDR)
Resolution (H × V)	9056 × 256	9056 × (256 + 32)
Sensor	Back-Side Illuminated Image Sensor (GLT5009BSI)	
Interface	CoaXPress 2.0 (CXP-12, 4 channels)	
Pixel Size	5.0 μm × 5.0 μm	
Sensor Size (diagonal)	45.36 mm × 1.28 mm	45.36 mm × (1.28 + 0.16) mm
Max. Line Rate	8 bit: 543 kHz 10 bit: 435 kHz 12 bit: 300 kHz	8 bit: 271.5 kHz × 2 10 bit: 217.5 kHz × 2
Min. Line Rate	30 kHz	
Pixel Data Format	Mono 8/10/12 bit	Mono 8/10 bit
TDI Stages	4/8/16/32/64/96/128/160/192/224/240/248/252/256	
	OFF	2/4/8/16/24/28/30/32
Trigger Synchronization	Free-Run, External or CoaXPress 2.0	
Throughput	4.9 Gpixels	
Gamma Correction	User Defined Lookup Table (LUT)	
Black Level Control	-256 ~ 255 at 8 bit	
Gain Control	Analog Gain	2.0× ~ 8.0×
	Digital Gain	1.0× ~ 32.0×
Lens Mount	M58 × 0.75 mm	
Dimension / Weight	90 mm × 90 mm × 80 mm / 800 g	
Temperature	Ambient Operating: 0°C ~ 40°C (Housing: 10°C ~ 55°C), Storage: -40°C ~ 70°C	
Power	External	11 ~ 24 VDC
	Dissipation	Typ. 25.0 W
	PoCXP	24 V DC, Minimum of Two PoCXP Cables Required
Compliance	CE, FCC, KC	
API SDK	Vieworks Imaging Solution 7.X	

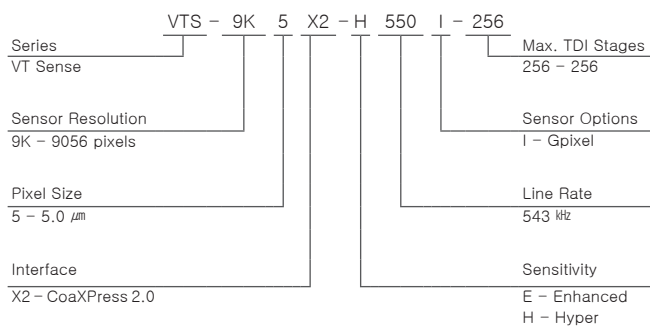
# VTS-9K5X2-H550I-256

High Speed & High Sensitivity 9k TDI Camera

## Quantum Efficiency

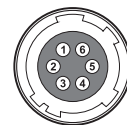


## Ordering Scheme



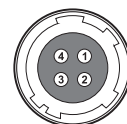
## Connector Specification

Power



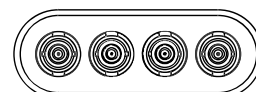
1 2 3: +12 VDC, 4 5 6: GND  
(HR10A-7R-6PB)

Control



1: Trigger IN, 2: Direction IN  
3: DC Ground, 4: Strobe OUT+  
(HR10A-7R-4S)

Data Transfer / Communications



CH1 CH2 CH3 CH4

CH1: Master Connection

75  $\Omega$ , Micro-BNC(HD-BNC)

Connectors on Camera Body